

dynamic rubbers

PVT. LTD.



40+ 
Years of
Experience

52+ 
Exporting
Countries

30+ 
Product
Range

Product Catalogue

**Bulk Material
Handling Solutions**

Know more about us
www.dynamicrubbers.com



System Design And Fabrication.

Truck Loaders

DYNAMIC's manufactures truck loader conveyors for various applications in warehouses, factories, and other settings. These conveyors are designed to handle materials such as boxes, cartons, and bags efficiently, reducing labor and saving time. With easy movability, a slider bed design, and low maintenance requirements, our conveyors offer numerous benefits.

- ▶ **DRPL's Truck loaders:** Flexible loading and unloading of trucks up to 28 feet (50 kg).
- ▶ **Wide applications:** Used in sugar industries, warehouses, flour mills, beverage industries, logistics, etc.
- ▶ **Beyond 28 feet:** We suggest telescopic belt conveyors for longer length.
- ▶ **Versatile handling:** Conveyors for boxes, bags, cartons, bottles, and more, with adjustable height and hydraulic inclination.



Cement



Sugar



Railways

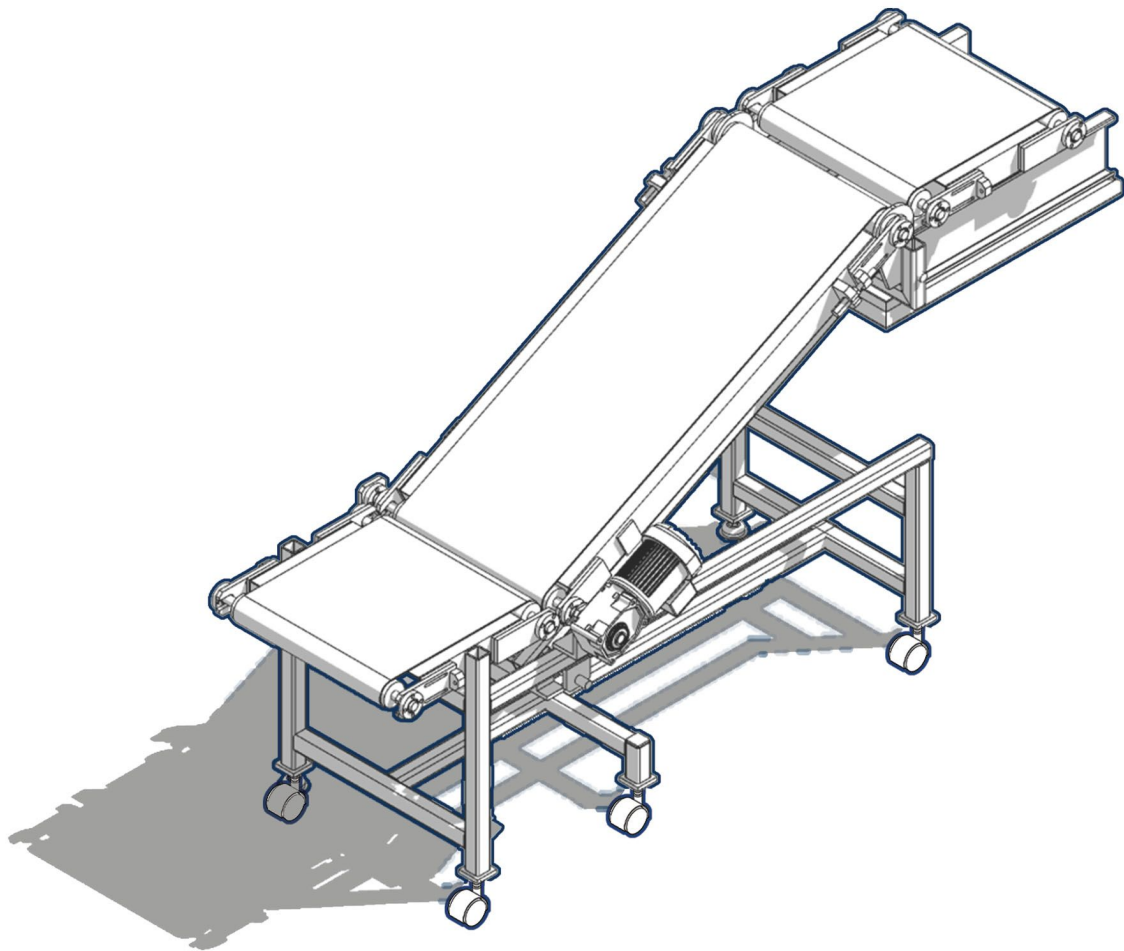


Post Office

INDUSTRIES

Features :-

- ▶ A slider bed is employed instead of idlers for smooth and effective conveyance.
- ▶ A power switch is installed in front of the conveyor to maintain the flow of loading.
- ▶ Side rails are provided to avoid spillage of material.
- ▶ Headlamps are provided to work easily in dark.
- ▶ Headlamps are provided to work easily in dark.



Advantages:

- ▶ Smooth loading and unloading of trucks and containers
- ▶ Truck can be loaded or unloaded with the help of only 2-3 labors
- ▶ Time require for loading/unloading of items will be 40% lesser as compare to manual process.
- ▶ We can use the height-adjustable front boom for stacking as well.

SL.	SPECIFICATION	DESCRIPTION
1.	BELT WIDTH	400 MM - 800 MM
2.	INCLINED LENGTH	UPTO 3500 MM
3.	HORIZONTAL LENGTH	UPTO 6500
4.	FEEDING HEIGHT	600 MM - 1000 MM
5.	DISCHARGE HEIGHT	2000MM TO 3200MM

CONVEYER BELTING



Head office Near Hotel President, BLOCK-A, 904-905, Chimanlal Girdharlal Rd,
Navrangpura, Ahmedabad, Gujarat-380009
© +91 9662656666
© +91 77790 96913

Marketing@dynamicrubbers.com

Factory Dynamic Rubbers Pvt Ltd - Kheda Unit
(Conveyor belt and accessories Unit - 1)
Survey no. 217 paint,
Village: Ghodasar, Taluka: Mahemdavad,
District: Kheda, Landmark: Haldarvas
387110

Bharat Rubber industries - Kolkata Unit
(Conveyor belt Unit - 2)
Bodai panchayet road
Vill& Po : Jugberia
Kolkata 700110

**Conveyor
Rollers &
Pulleys
Unit.** Plot No. 3302,
Phase - IV, GIDC,
Vatva,
Ahmedabad - 382445

**Rubber
Products &
Belting
Unit.** D-111, Industrial Area ,
RIICO , Palsana ,
Dist . Sikar,
Rajasthan